

FLEX SERIES

Quick Start Guide



SPYPOINT

v1.0

IN THE BOX

FLEX SERIES

Camera

ANTENNA &
GASKET

CHARGING CABLE

FLEX-S only

2 SIM CARDS

Preactivated and inserted
(do not remove)

INSTALLATION
STRAP

REQUIRED (sold separately)

MEMORY CARD

2 to 512 GB class 10
ultra-high speed
new microSD card

8 AA

**Lithium non-rechargeable
recommended**
(Optional for the FLEX-S)

-
FLEX-PLUS 8 or 16 AA

OR

LIT-22

**Rechargeable lithium
battery pack**
(Optional for the FLEX-S)

-
FLEX PLUS 1x or 2x LIT-22

BEFORE YOU GO TO THE FIELD — Getting ready, first time use

FLEX-S ONLY

#1

Charge the internal battery.

While the camera is off, plug the 12Vdc connector (charging cable) to the camera. The status light will illuminate red while charging and turn off when fully charged. It is recommended to charge the battery fully (approximately 12 hours).

#2

Create an account on
spypoint.com/activate



#3

Download the SPYPOINT app and sign in.



#4


In the Cameras tab, press the  button.

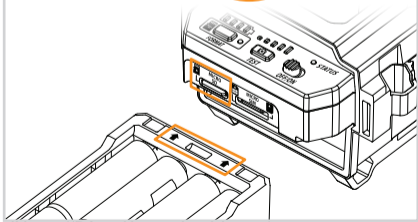
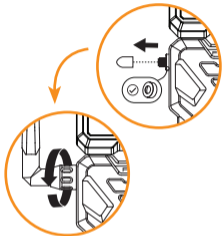
Follow the instructions on the screen to add your camera.



#5

**Screw in antenna
& insert memory
card, batteries.**

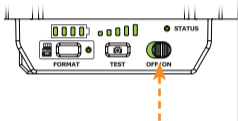
 Insert the tray(s)
following the arrow
orientation.



#6

Turn your camera ON.

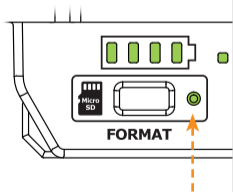
All LEDs will begin to blink.



#7

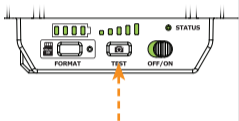
Format your memory card.

Immediately hold down the format button until the FORMAT LED blinks green. Format is complete when LED stops blinking.



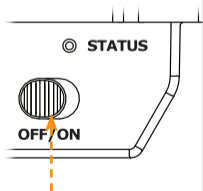
#8

Press the **TEST** button to receive a photo.



#9

Turn your camera **OFF** until you're ready to install it in field.



IN THE FIELD

#10

FLEX-S ONLY

Install your camera in a location where the solar panel will receive at least 4 hours of direct sunlight.

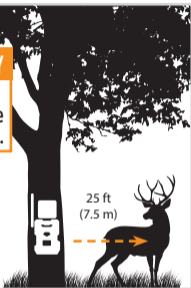
Tips

Use: Installation strap

Orientation: North or South

Height: Subject's mid-body

Lens sight: No leaves, branches or tall grass in front



#11

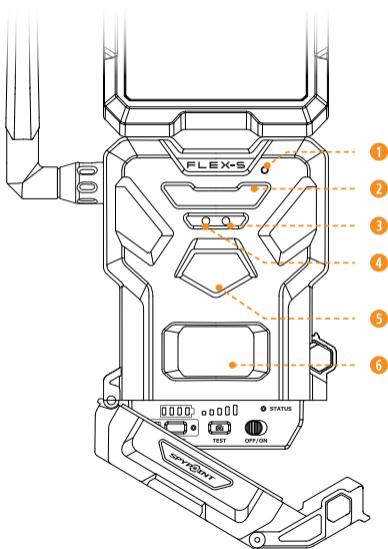
Turn your camera
ON & test it.

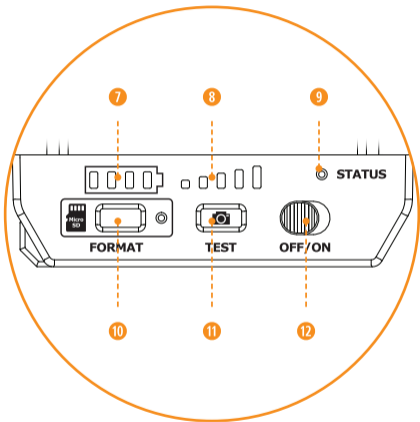
(Steps 6 & 8)

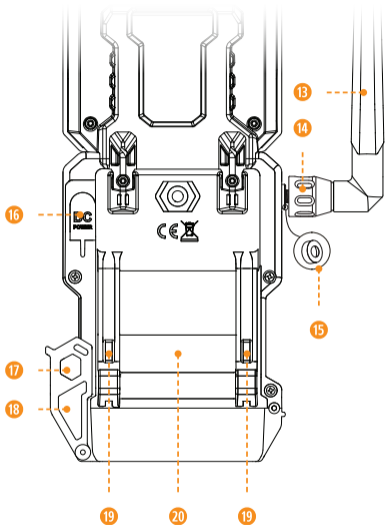


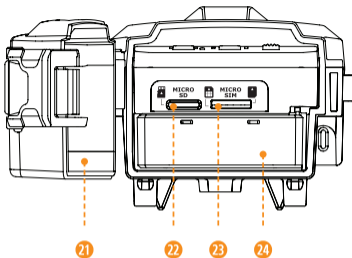
COMPONENTS

- 1 Microphone
- 2 IR LED
- 3 Light sensor
- 4 Delay light
- 5 Photo lens
- 6 Detection lens
- 7 Battery level
- 8 Signal level
- 9 STATUS light
- 10 FORMAT button
- 11 TEST button
- 12 OFF/ON switch
- 13 Antenna
- 14 Antenna gasket
- 15 Antenna O-Ring
- 16 12 V jack
- 17 Cable lock hole
- 18 Locking latch
- 19 Slots for installation strap
- 20 Screw-thread for standard ¼"-20 tripod mount
- 21 Battery door
- 22 microSD card slot
- 23 Micro SIM card slots
- 24 Battery tray
- 25 Solar Panel

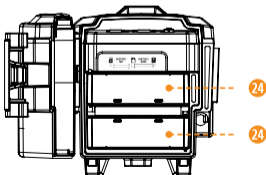


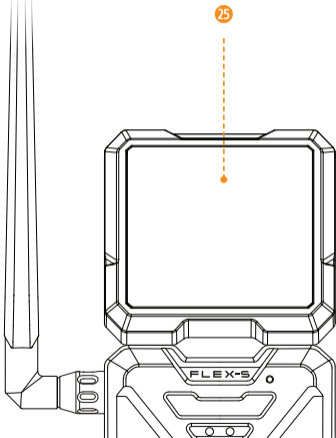






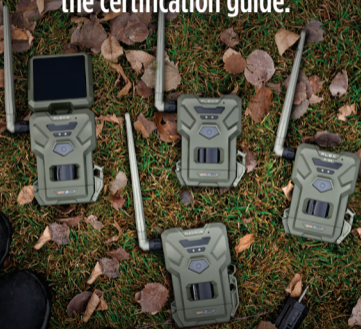
FLEX-PLUS ONLY





FLEX SERIES

More information available in
the certification guide.



SPYPOINT